

## COLLEGE OF ENGINEERING, ATTINGAL

No. PTA/02/22/CEAL

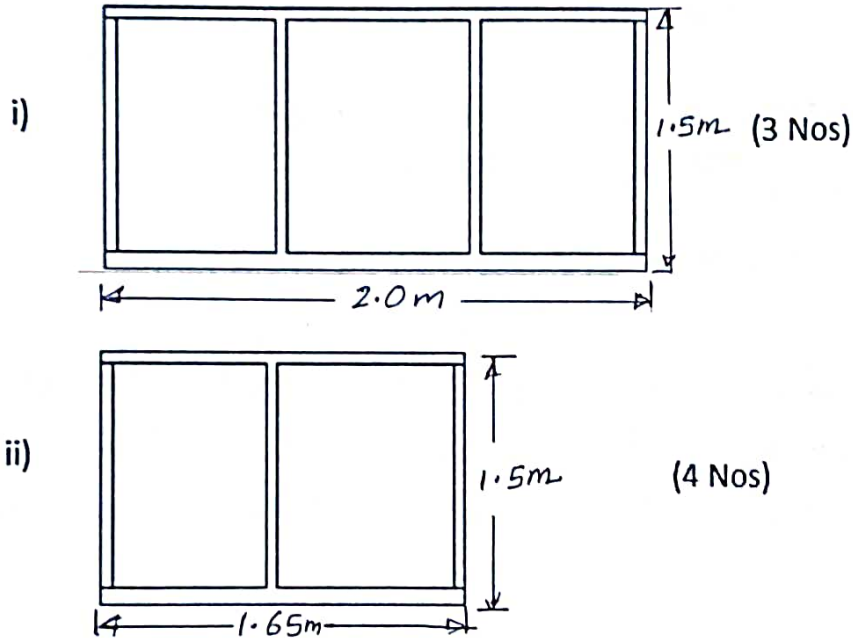
20.06.2022

### Quotation Notice

Sealed quotations are invited for the 'Aluminum fabrication work and glass sliding window' in college auditorium.

#### Aluminum fabrication work and glass sliding window

Super sliding window 3 track, 2 track, Outer frame- 2 track, Shutter plane, Interlock, Runner, PVC wheel, 4mm plane glass, Lock, EPD rubber



Intending tenderers may submit the quotations on their own paper. The envelope containing quotation should bear the superscription "Quotation for the "Aluminum fabrication work and glass sliding window" and should be addressed to the Principal College of Engineering, Attingal 695101. Last date of the receipt of the quotations is 01.07.2022, 3.00 PM. Late quotations will not be accepted. The quotations will be opened at 04.07.2022, 11 AM. The rate quoted should be inclusive of labour charges.

  
Secretary, PTA